

# The GLS

Sport Utility Vehicle



Mercedes-Benz





A photograph of a wooden pier extending into a body of water. In the foreground, the front left corner of a silver Mercedes-Benz GLS is visible, showing the grille and the license plate 'S UV 1676'. A man in a dark coat and light-colored pants is walking away from the camera on the pier. The pier has a white metal railing and is supported by large wooden posts. In the background, there is a cityscape across the water under a clear sky.

## The pinnacle of space and comfort is only to be found in the new GLS.

The new GLS does full justice to the “S” in its name. Like no other car in the world, it combines the effortless agility of an SUV with the inner qualities of an S-Class. Climb aboard and discover exquisite luxury, tangible comfort and an unprecedented standard of exemplary safety.



25.0°C

11:10

0  
km/h

15.6  
km

0  
x1/min

260

568 km



AIRBAG



Message

Seat comfort

Ambient lighting

11:10

Seat kinetics

lumbar

bolsters

tilting balance

-10



-10

5

5

0

0

0

0

0

0

0

0

0

0

0

0

0

0

0

0

0

0

0

0

0

0

0

0

0

0

0

0

0

0

0

0

0

0

0

0

0

0

0

0

0

0

0

0

0

0

0

0

0

0

0

0

0

0

0

0

0

0

0

0

0

0

0

0

0

0

0

0

0

0

0

0

0

0

0

0

0

0

0

0

0

0

0

0

0

0

0

0

0

0

0

0

0

0

0

0

0

0

0

0

0

0

0

0

0

0

0

0

0

0

START ENGINE



The image shows the interior of a Mercedes-Benz GLS, focusing on the front passenger side. The dashboard and door panels are finished with dark wood trim and leather. The center console is visible in the foreground. The text is overlaid on the lower right portion of the image.

## Climb aboard and revel in modern luxury.

In the new GLS everything you see and touch adds up to a first-class experience. The fluid transitions, the stylish wood trim and the all-digital Widescreen Cockpit blend harmoniously into the superlative interior. As the first luxury-class Mercedes to feature the MBUX infotainment system, it also understands you better than ever before.





Maximum comfort.  
And almost minimalist design.

A family of four is walking away from the camera on a wide, light-colored dirt path. In the foreground, a young girl with long red hair is walking towards the right, wearing a light blue button-down shirt and dark pants. To her right, a young boy in a dark blue shirt and grey pants is also walking towards the right. In the middle ground, a man in a grey sweater and dark pants is walking towards the left, and a woman in a white top and orange pants is walking towards the right. The path leads to a scenic view of a turquoise lake surrounded by dense evergreen forests and mountains under a clear sky.

# Nothing is more valuable than good style.

Elegant and consummately stylish, the new GLS is a dominant presence even in its purest form. The EXCLUSIVE interior, electric panoramic sliding sunroof and wheels of up to 23 inches in size take this hallmark elegance to a new level. MULTIBEAM LED headlamps and LED tail lights lend it an added shine.





# A rear compartment like none before.

The interior of the new GLS really is larger than life, with ample space for seven people. Each seat boasts luxury-class comfort and an infotainment offering that even goes one better. The second row of seats is electrically adjustable and the third row is more comfortable than ever.





# The world's most masterfully refined suspension.

When the going gets tough, the new GLS always retains its poise and composure like no other in its class, with the fully active E-ACTIVE BODY CONTROL suspension. Both on- and off-road. A new electrified engine and a comprehensive ON&OFFROAD package are optionally available to add the definitive final touch to the car's unparalleled comfort.







## Mercedes-Benz Intelligent Drive.

In the rush hour, during a long drive at night or on an unfamiliar route, your GLS noticeably takes the strain out of driving, particularly in stressful situations. It's all down to a concept that makes every journey in a Mercedes-Benz a safer and exceptional experience: Mercedes-Benz Intelligent Drive. Because the time you spend behind the wheel is your time. Time for relaxation. Time to replenish your energy. So that, first and foremost, you reach your destination safely, but are also relaxed when you get there.



### EQUIPMENT HIGHLIGHTS – DRIVING ASSISTANCE SYSTEMS

The **Driving Assistance package Plus** offers maximum comfort and safety on the road to autonomous driving. To supplement the Driving Assistance package you receive Active Stop-and-Go Assist, which ideally takes the strain off you on motorways. A further benefit of this package is PRE-SAFE® Impulse Side, which can provide additional protection in side collisions caused by other vehicles.

The innovative **PRE-SAFE® Sound** system generates a sound signal through the loudspeakers that can trigger a protective reflex: your auditory system briefly disconnects, thereby protecting itself from the loud noise of a crash.

Optimum parking service on board. **Active Parking Assist with 360-degree camera** makes it easier for you to find a parking space and to manoeuvre into and out of parking spaces. Here the choice is yours: park with ease yourself thanks to all-round visibility – or make things even easier still by getting the car to park for you.



## Mercedes-Benz User Experience.

Infotainment to the highest GLS standard. The new Mercedes-Benz User Experience is designed to beguile. With your every look, every word and every touch.



---

### EQUIPMENT HIGHLIGHTS – EASE OF OPERATION AND DISPLAY CLARITY

---

It takes just two little words from you – “Hey Mercedes” – to activate the intelligent natural-speech **LINGUATRONIC voice control system**, which understands almost every word you speak and can even handle indirect language. The air conditioning will respond to “I feel cold” by setting a higher temperature, for example.

In the new GLS you can highlight media displays, start favourite functions, activate the reading lamp and much more besides without having to touch any controls whatsoever. Courtesy of **MBUX Interior Assist** which, as part of the optional MBUX Innovation package, recognises the driver’s and front passenger’s hand gestures precisely by means of a camera.

---



## Widescreen Cockpit.

With the Widescreen Cockpit, the instrument display and media display form a visual unit. The two fully digital colour displays are combined beneath a joint glass cover and blend harmoniously into the interior design as a seamless surface. The media display comes in a free-standing variant for the first time – an elegant eye-catching feature.



## Head-up Display.

Ideal perspectives for a superior driving experience: the head-up display transforms your windshield into an exciting digital cockpit. As such you always have a direct view of key information. Your full attention remains on the road and the traffic conditions in front of you.





## 23-inch wheels.

Tailor-made to suit your individual taste: the new GLS offers wheels of up to 23 inches in size, plus a stylish selection of different rim designs and colour variants. To add that final distinguishing flourish to your car's appearance.



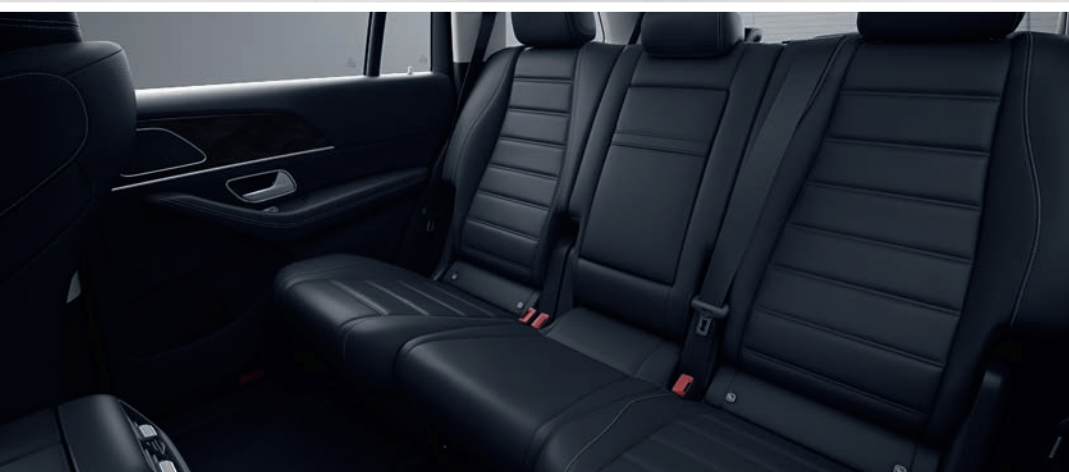
## Panoramic sliding sunroof.

The optional panoramic sliding sunroof conjures up a wonderful feeling of freedom and a pleasantly light and airy atmosphere inside the vehicle. From the outside it lends the exterior an exclusive lightness of touch.

## Standard equipment and appointments.

A bold presence with high-end credentials: the exterior combines typical SUV features with a powerful, cutting-edge design. The generous proportions exude effortless superiority and safety. Chrome elements add elegant and stylish highlights. Aerodynamic optimisation measures deliver first-class efficiency values and ensure pleasantly quiet driving acoustics.

Discover high-end elegance. High-quality materials, generous dimensions and intelligent details provide the basis for a luxurious setting and comfortable travel for up to seven occupants. Standard on-board features include: multifunction sports steering wheel, Widescreen Cockpit, MBUX multimedia system and air conditioning.



## The EXCLUSIVE interior equipment line.

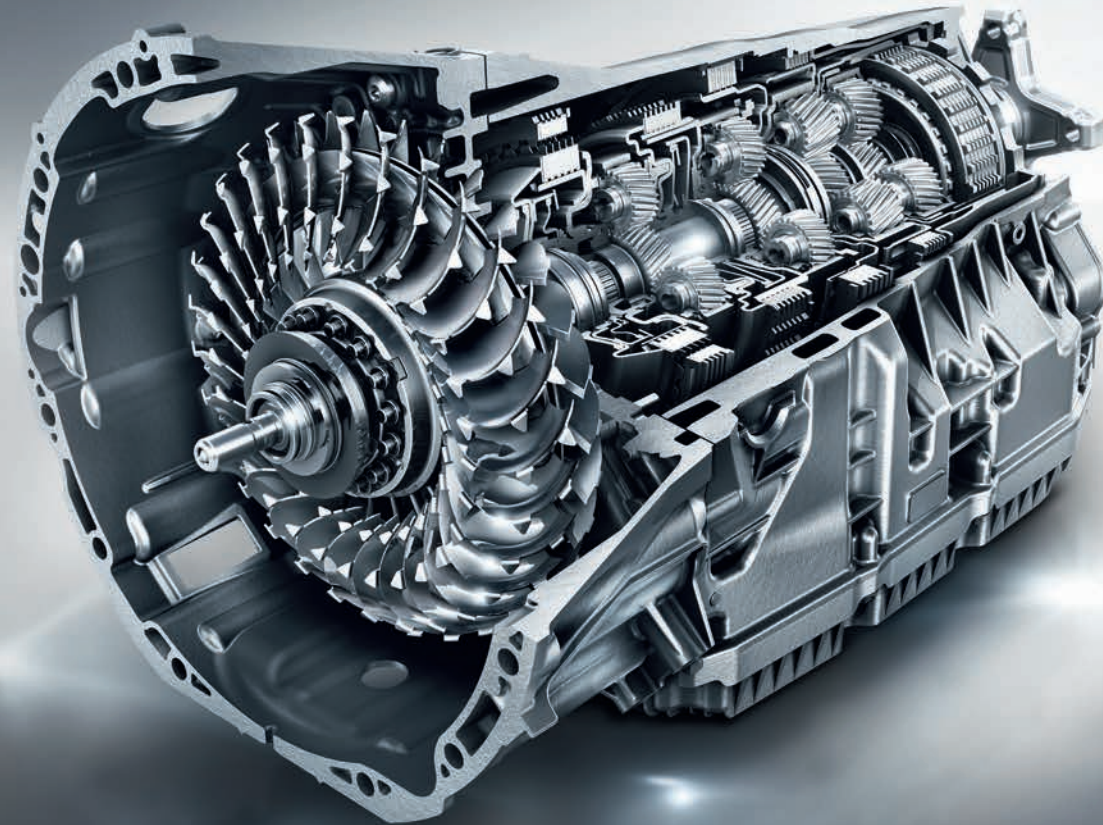
The EXCLUSIVE interior allows you to show what matters to you: the utmost in elegance and top-class quality down to the most minute detail. The luxurious highlights and fine ambience of your interior will bring you a whole new sense of joy every day and reflect your good taste.



## The AMG Line.

The expressive styling of the AMG Line lends your vehicle a dynamic character through and through. For a clear distinction from the base model. As such you can make a clear statement for powerful design.

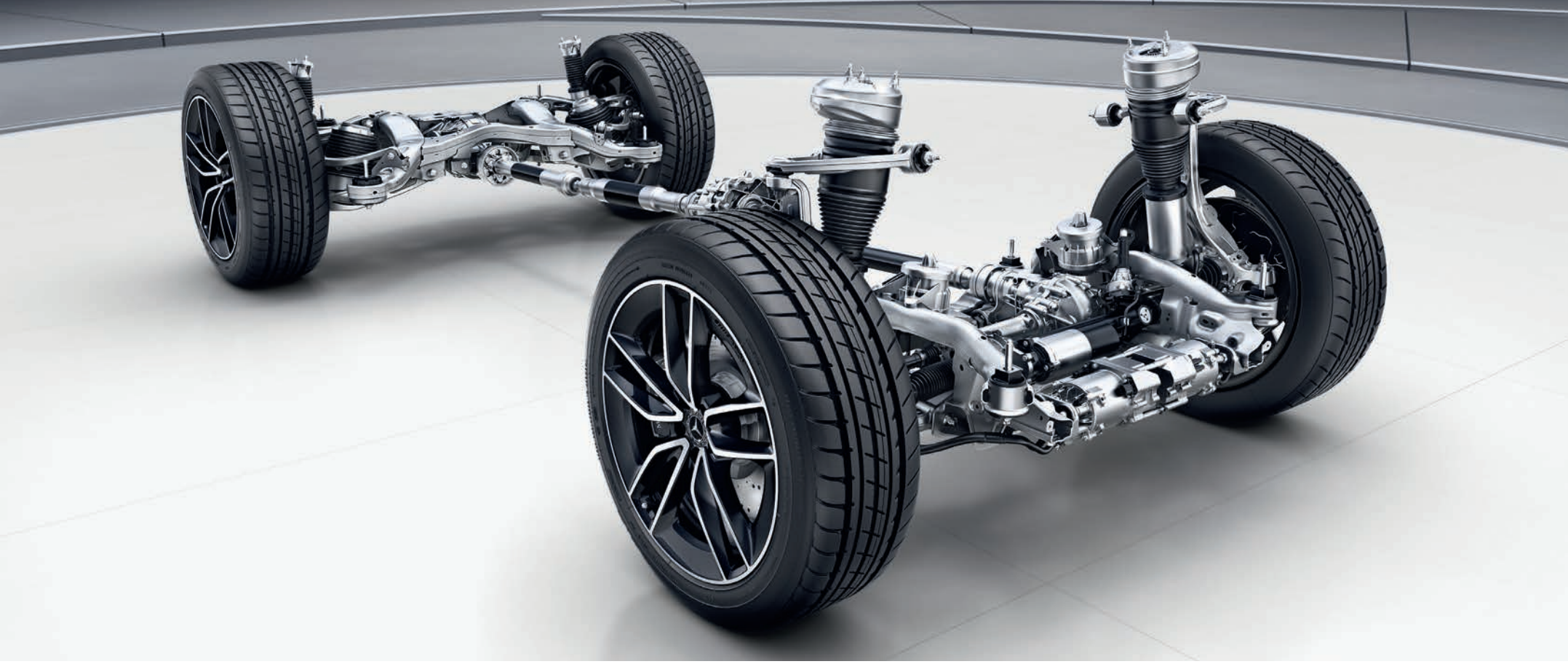




## 9G-TRONIC.

Leave the gear-shifting work to your vehicle: you will barely notice the gear changes performed by the 9G-TRONIC automatic transmission. Nine gears enable low engine speeds, which reduces your fuel consumption and ensures a more pleasant noise level.

When you select the Comfort and ECO drive programs via DYNAMIC SELECT, the 9G-TRONIC will shift smoothly and efficiently through the nine gears for the ultimate in driving comfort. The transmission also comes with sporty credentials: at the push of a button you can enjoy fast, sporty gear changes while nevertheless remaining in the ideal engine speed range for much of the time. Sport mode raises performance accordingly for even greater driving enjoyment.



## E-ACTIVE BODY CONTROL.

A totally new active suspension is available for the new GLS in the guise of E-ACTIVE BODY CONTROL. This incorporates the camera-based lane recognition system ROAD SURFACE SCAN and the CURVE active curve inclination function, and is able to assess the driving situation, speed and load. Damping and level control are automatically adjusted for each wheel accordingly. For excellent ride comfort and outstanding stability – on- and off-road alike.

# Technical data.

---

Displacement (cc)
Rated output <sup>1</sup> (kW [hp] at rpm)
Acceleration from 0 to 100 km/h (s)
Top speed (km/h)
Fuel consumption <sup>4</sup> (l/100 km)
Combined

---

## Petrol engines

### GLS 450 4MATIC

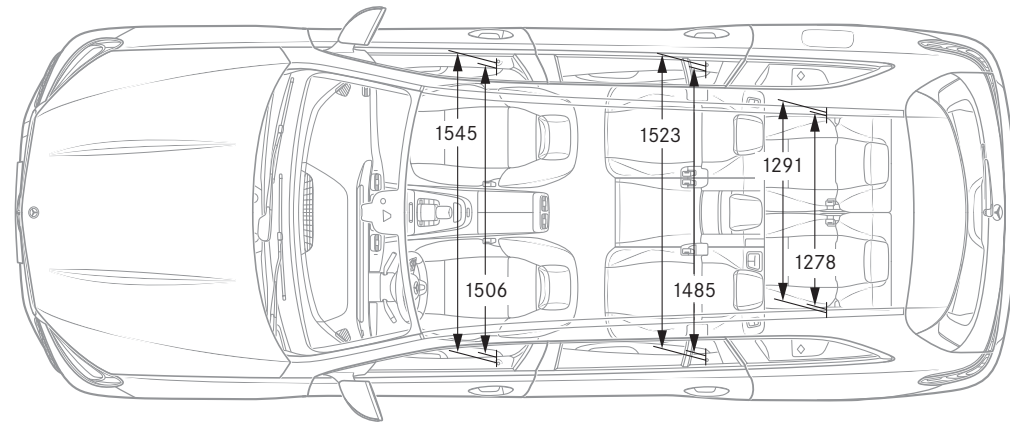
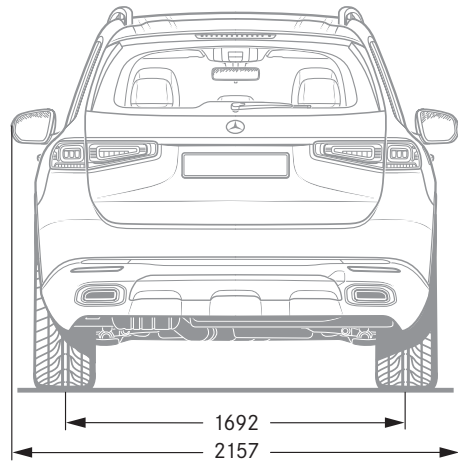
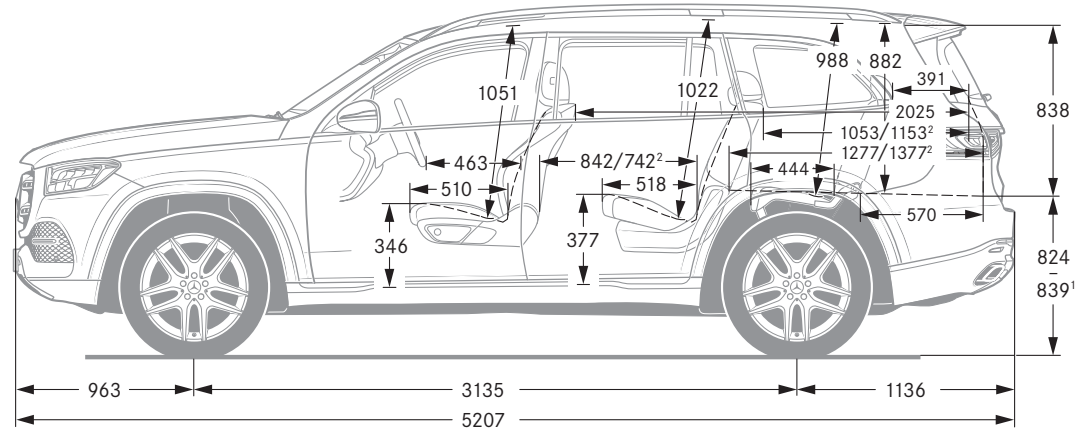
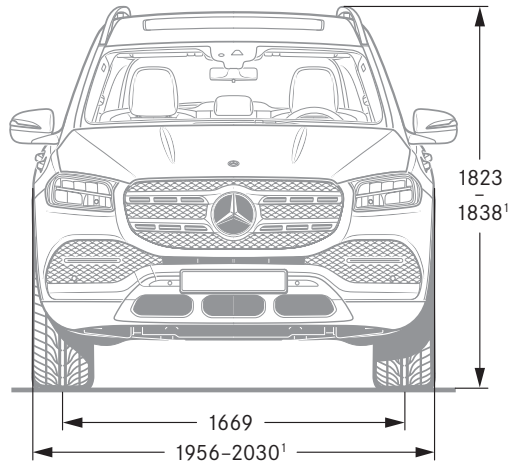
---

2,999
270 [367] at 6,100
6.2
246
12.4

---

The best for the engine:  
Mercedes-Benz genuine engine oils.

# Dimensions.



<sup>1</sup> With minimum to maximum-size tyres at normal or highway level. <sup>2</sup> With rear bench seat pushed forward 100 mm. All figures in millimetres. The illustrated dimensions are mean values. They are valid for vehicles in basic specification and in unladen condition.



# SPORT — F O R — GOOD

Mercedes-Benz is one of the founding partners of the worldwide “Laureus Sport for Good Foundation”, which was established in 2000. It is the Mercedes-Benz brand’s most important social initiative. Laureus Sport for Good supports children and young people in need through social sports projects, opening up new perspectives and imparting important values such as team spirit, respect and determination. “Change the Game for Kids” is our mission statement which we wish to share with you. In buying a Mercedes-Benz you are supporting the “Laureus Sport for Good” movement.

**Please note:** changes may have been made to the product since the editorial deadline (22.03.2019). The manufacturer reserves the right to make changes to the design, form, colour and the product specification during the delivery period, provided these changes, while taking into account the interests of the vendor, can be deemed reasonable with respect to the purchaser. Where the seller or the manufacturer uses symbols or numbers to describe an order or the subject of an order, no rights may be derived solely from these. The illustrations may show accessories and items of optional

equipment which are not part of standard specification. This publication is distributed internationally. However, information regarding statutory regulations, legal requirements and taxation and the consequences thereof applies to the Federal Republic of Germany only and is correct at the time of the editorial deadline. For current and more specific information, please contact your nearest authorised Mercedes-Benz sales partner.

[www.mercedes-benz.com](http://www.mercedes-benz.com)